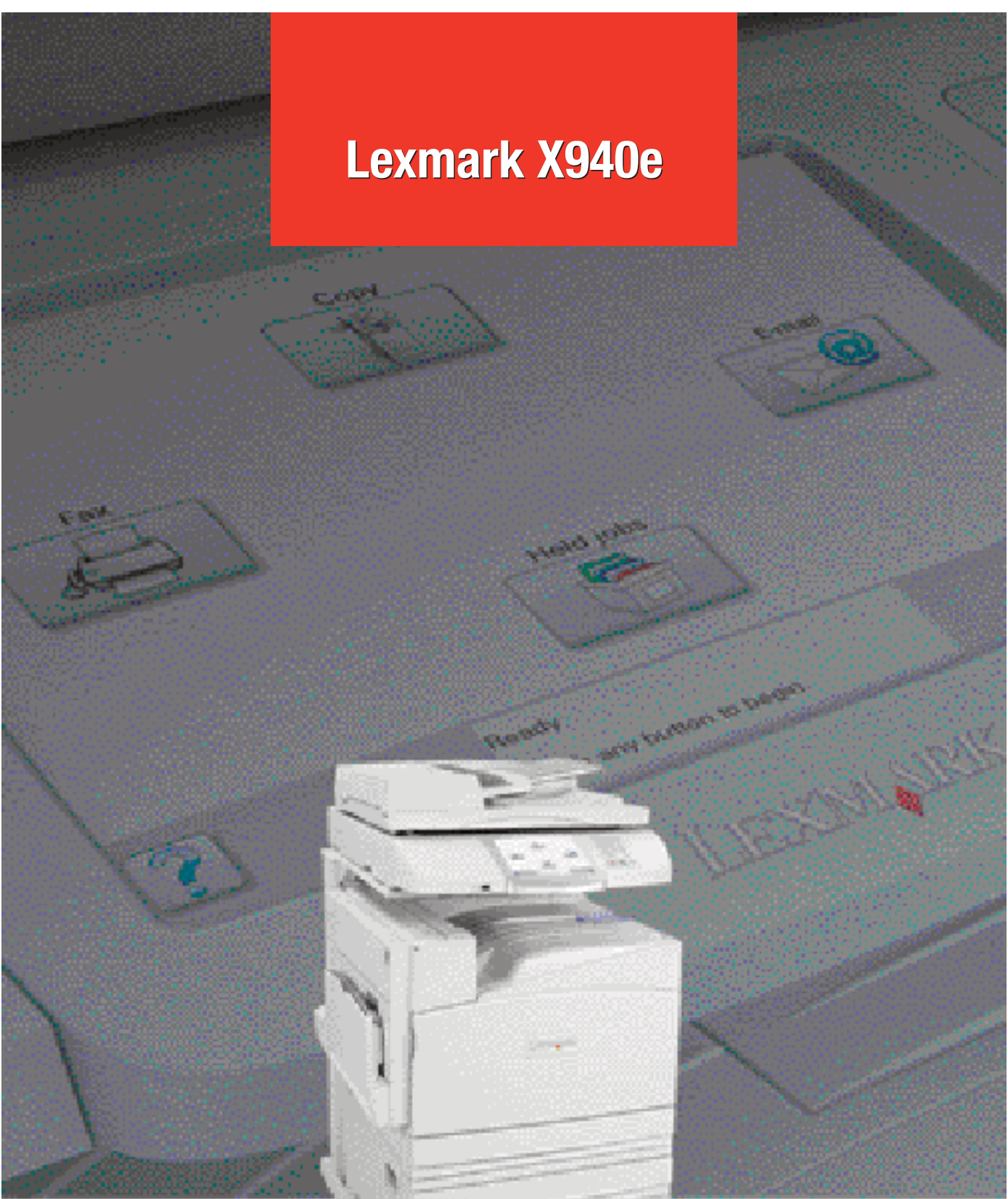


Lexmark X940e



LEXMARK

Lexmark X940e MFP

The Lexmark X940e MFP departmental network colour multifunction solution includes print, colour copy, fax and scan capabilities. The easy-to-use e-Task touch screen lets you easily automate document workflow processes.



In the Box

Lexmark X940e

- 1-Tray Cabinet
- 13,000-page Black Toner Cartridge¹
- 12,000-page Cyan, Magenta and Yellow Toner Cartridges¹
- 80+GB Hard Disk
- Photoconductor Kit
- Setup Sheets
- Software / Documentation CD
- Warranty Sheet
- Supplies Use and Return Flyer
- Phone cord
- Power Cord

Product Specifications

Part Number	21Z0200
Product Class	Departmental Laser MFP
Print Speed	Black: Up to 40 ppm; Colour: Up to 30 ppm
Time to First Page	Black: As fast as 5.2 seconds; Colour: As fast as 10 seconds
Resolution	2400 image quality
Processor	1.25GHz
Memory (std./max.)	512MB/1024MB
Connectivity Standard Optional	Gigabit Ethernet, USB, USB Direct Interface, 1 Internal Solutions Port Wireless, Fiber Optic, Parallel, Serial
Printer Languages	PostScript 3 and PCL 6 emulations, PPDS Migration Tool
Direct Print Formats	PDF v1.6 emulation, HTML Direct Image Space, .jpg, .tif, .gif, .bmp, .png, .pcx, .dcx
Fonts	PCL 6: 89 scalable, includes OCR-A, OCR-B and Code 3 of 9 bar codes; 2 bitmapped; PostScript: 158 scalable; PPDS: 39 scalable, 5 bitmapped
Operating Systems	Windows, Linux, UNIX, Mac, NetWare and OS/400
Copy	Reduce/enlarge (25-400%), paper saver (2-up and 4-up), collation, darkness adjustment, original size to output size selection, copy select 1-999, date/time stamp, single-pass duplex, message overlay, priority copy (job interrupt), copy countdown
Fax	Speed: 33.6 bps max.; transmission speed: approximately 3 seconds per page; resolution: 200 x 100 dpi, 200 x 200 dpi, 300 x 300 dpi, 400 x 400 dpi; fax redirect, group fax, manual fax, fax from PC, up to 512-character shortcuts, fax preservation, LDAP lookup, Caller ID, speed dials, block junk faxes
Scan	Output resolutions: up to 600x 600 dpi black, up to 300 x 300 dpi colour; scan destinations: Network TWAIN, USB Direct Interface, e-mail, FTP, LDSS, Scan-to-PC; File Formats: TIFF, JPG, PDF; legal-size from flatbed; duplex scanning
Acoustics	Printing: 52 dBA; Copying: 53 dBA; Scanning: 54 dBA; Idle: 34 dBA
Size (WxDxH)	660 mm x 810 mm x 1,153 mm. (26 in. x 31.9 in. x 45.4 in.)
Weight	168.3 kg. (371 lb)
Duty Cycle²	Maximum monthly duty cycle: Up to 150,000 pages per month
Recommended Monthly Page Volume³	5,000 - 25,000 pages per month

Media Specifications

Paper Capacity (sheets) Standard Maximum	Input: 1,140 (1,040 + 100 MPF); Output: 400 Input: 1,140 (1,040 + 100 MPF); Output: 3,500 (500 + 3000)
Paper Sources Standard Maximum	Input: 2; Output: 1 Input: 2; Output: 3
Media Information Types Size Weight	Plain paper, paper labels, card stock, transparencies, envelopes Letter, Legal, Tabloid, A4, A5, A3, JIS B5, JIS B4, Executive, Folio, Statement, Universal (3.9 in. x 17 in. to 5.5 in. x 11.7 in.), envelopes (7 3/4, 10, DL, C5) Plain paper: 17 to 28 lb. (60 to 220 g/m ²); Card stock: up to 110 lb. (220 g/m ²)

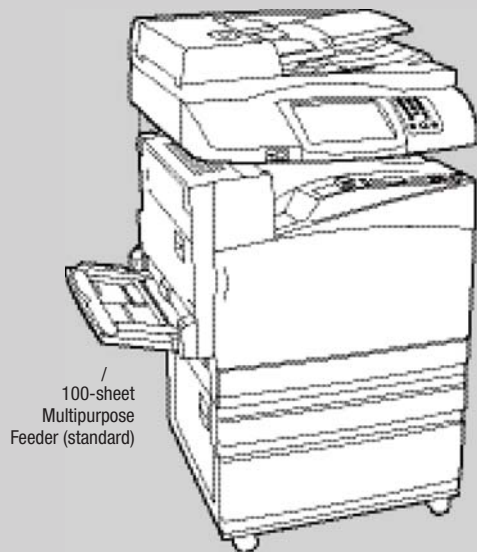
Shipping Dimensions

Lexmark X940e MFP
740 mm x 925 mm x 1480 mm. 216.4 kg. (26.1 in. x 36.4 in. x 58.3 in. 476 lb).



Part Numbers

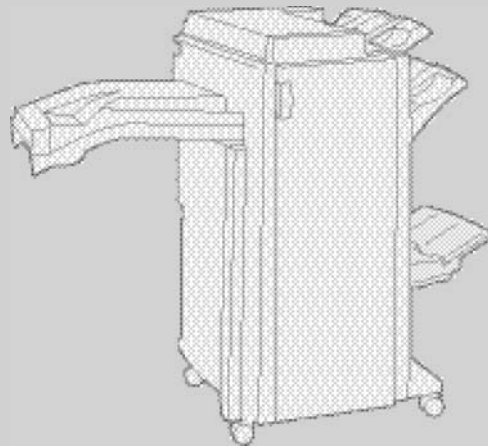
Supplies	36,000-page Black Toner Cartridge ¹	X945X2KG
	22,000-page Cyan Toner Cartridge ¹	X945X2CG
	22,000-page Magenta Toner Cartridge ¹	X945X2MG
	22,000-page Yellow Toner Cartridge ¹	X945X2YG
	Black Photoconductor Kit	C930X72G
	3-pack Colour Photoconductor Kit	C930X73G
	30,000-page Waste Toner Box	C930X76G
	Advanced Booklet Staples	21Z0357
	Staple Cartridge, 3 pack	25A0013
	Routine Maintenance Items	
	100,000-page Fuser Maintenance Kit	40X4031
	600,000-page Transfer Belt Maintenance Kit	40X4032
150,000-page ADF Maintenance Kit	40X4033	
Memory Options	128MB SDRAM	13N1523
	256MB SDRAM	13N1524
	512MB SDRAM	13N1526
	32MB Flash Card	1021208
	64MB Flash Card	1021209
Warranty	1-year Next Business Day Onsite Repair	Base
	1-year Next Business Day Onsite Repair extended warranty	2349452
	2-year Next Business Day Onsite Repair extended warranty	2349453
	3-year Next Business Day Onsite Repair extended warranty	2349454



100-sheet
Multipurpose
Feeder (standard)

520-sheet Drawer
(standard)

520-sheet Drawer with
Cabinet (standard)



Standard Finisher, —
3 hole (21Z0308)

Advanced Finisher,
3 hole (21Z0309)

¹ Average continuous black or continuous composite CMY declared cartridge yield up to this number of standard pages in accordance with ISO/IEC 19798.

² Duty Cycle is defined as the maximum number of pages a device could deliver in a month. This metric provides a comparison of robustness in relation to other Lexmark printers and MFPs.

³ Recommended Monthly Page Volume is a range of pages that helps customers evaluate Lexmark's product offerings based on the average number of pages customers plan to print on the device each month. Lexmark recommends that the number of pages per month be within the stated range for optimum device performance, based on factors including: supplies replacement intervals, paper loading intervals, speed, and typical customer usage

Additional Part Numbers

Solutions	Traditional Chinese Font Card	1021242
	Simplified Chinese Font Card	1021241
	Japanese Font Card	1021243
	Korean Font Card	1021240
	Bar Code Card and Forms Card	21Z0367
	PrintCrypton™ Card	21Z0370
	Card for IPDS and SCS/Tne	21Z0368
Connectivity	Internal Print Servers ¹	
	MarkNet™ N8030 Fiber Ethernet	14S0220
	MarkNet N8050 802.11g Wireless	14S0165
	External Print Servers ²	
	N4050e 802.11g Wireless	14T0145
	Local Connections	
RS-232C Serial Interface Card	1021092	
Parallel 1284-B Interface Card	1021091	
Media	Glossy Paper (letter, 200 sheets)	12A5950
	Professional Colour Laser Transparencies (letter, 50 sheets)	12A8240

Terms & Conditions

Lexmark, MarkNet and Lexmark with diamond design are trademarks of Lexmark International, Inc., registered in the United States and/or other countries. PrintCrypton is a trademark of Lexmark International, Inc. PCL is a registered trademark of Hewlett Packard Company. All other trademarks are the property of their respective owners. © 2007 Lexmark International, Inc. All rights reserved.

¹ Use of Internal Print Server disables network card resident in printer.
² Requires USB Connection